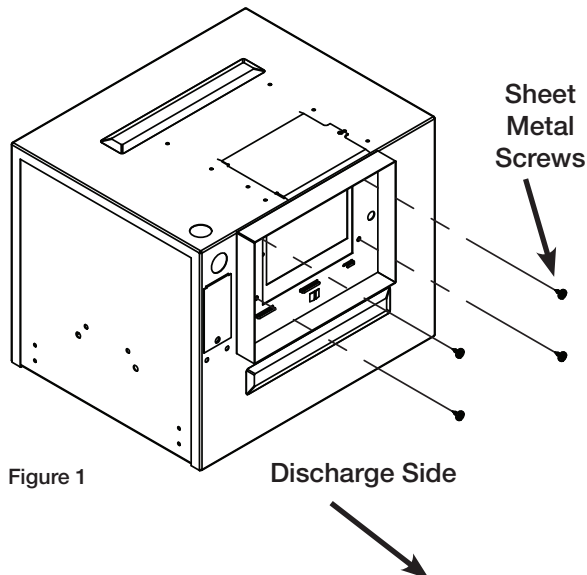


Installation, Operation and Maintenance Manual

Please read and save these instructions for future reference. Report any damaged equipment to the shipper immediately. Read carefully before attempting to assemble, install, operate or maintain the product described. Protect yourself and others by observing all safety information. Failure to comply with instructions could result in personal injury and/or property damage!

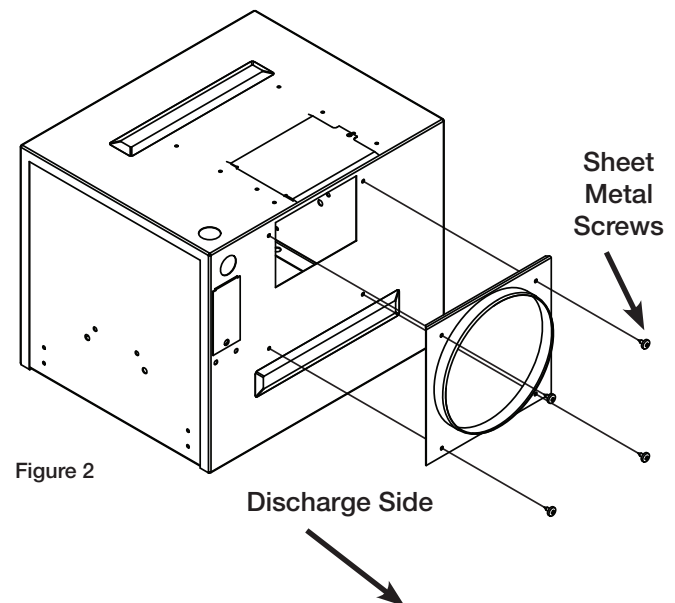
Removal of Original Rectangular Outlet:

1. Remove the four (4) sheet metal screws that hold the duct connector to the blower box assembly on the discharge side. Refer to Figure 1.



Attachment of New Round Outlet:

2. Attach the round duct connector to the blower box assembly using the four (4) original sheet metal screws. Refer to Figure 2.



Warranty

Greenheck warrants this equipment to be free from defects in material and workmanship for a period of one year from the purchase date. Any units or parts which prove defective during the warranty period will be replaced at our option when returned to our factory, transportation prepaid. Motors are warranted by the motor manufacturer for a period of one year. Should motors furnished by Greenheck prove defective during this period, they should be returned to the nearest authorized motor service station. Greenheck will not be responsible for any removal or installation costs.

As a result of our commitment to continuous improvement, Greenheck reserves the right to change specifications without notice.