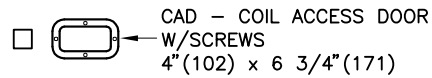
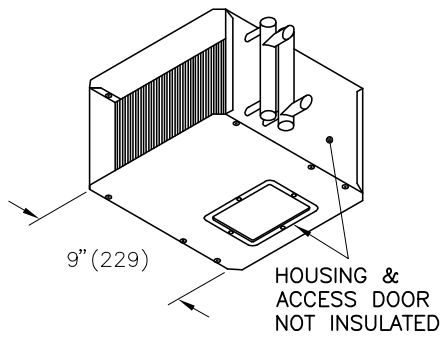
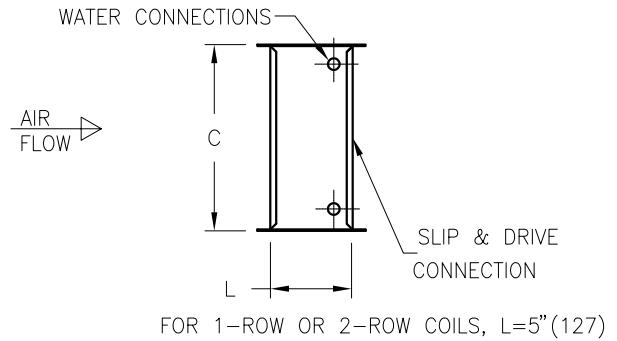
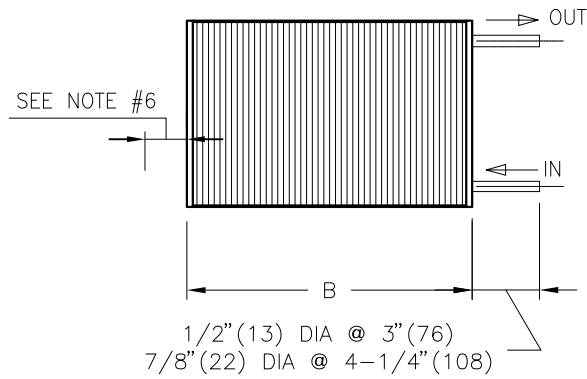


**VAV Coils**



**Notes**

- Bottom access door for inspection and maintenance of coil is featured
- 22GA galvanized steel construction
- Gasketed perimeter and 4 screws provided as standard construction

VAV Unit Size	B	C	L	Coil Connection
6	12"	8"	9"	7/8" OD
8	12"	10"	9"	7/8" OD
10	14"	12 1/2"	9"	7/8" OD
12	16"	15"	9"	7/8" OD
14	20"	17 1/2"	9"	7/8" OD
16	24"	18"	9"	7/8" OD
24" x 16"	38"	18"	9"	7/8" OD

6" and 8" 1-row coils have 1/2" OD coil connection