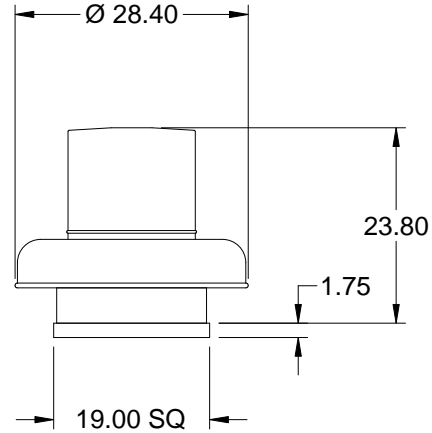


Model: G-133-VG

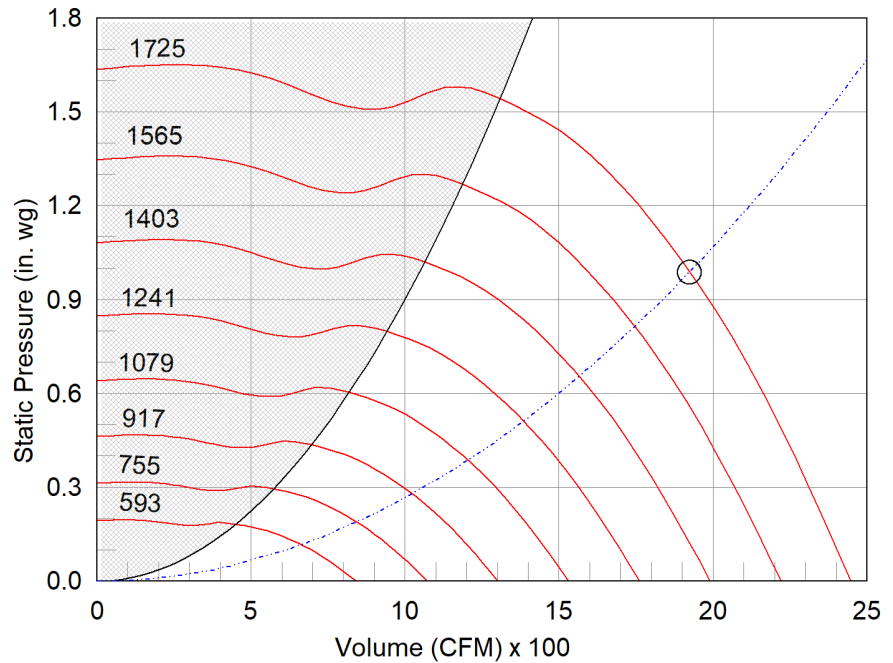
Direct Drive Centrifugal Roof Exhaust Fan



Dimensional	
Quantity	1
Weight w/o Acc's (lb)	48
Weight w/ Acc's (lb)	53
Roof Opening (in.)	14.5 x 14.5

Model	HP	RPM	Sones @ 0 in.	Max BHP	Pressure in Inches WG							
					0	0.125	0.250	0.375	0.500	0.625	0.750	1.000
G-133-VG	3/4	1725	17.4	0.60	2448	2393	2338	2281	2220	2159	2089	1935

Motor	
Motor Mounted	Yes
Size (hp)	3/4
Voltage/Cycle/Phase	115/60/1
Enclosure	ODP
Motor RPM	1725
Efficiency Rating	High
Windings	1
FLA (Amps)	8.8



- △ Operating Bhp point
- Operating point at Total External SP
- Fan curve
- - - System curve
- Brake horsepower curve

Notes:

All dimensions shown are in units of in.
 *NEC FLA - based on tables 430.248 or 430.250 of National Electrical Code 2014. Actual motor FLA may vary, for sizing thermal overload, consult factory.
 LwA - A weighted sound power level, based on ANSI S1.4
 dBA - A weighted sound pressure level, based on 11.5 dB attenuation per Octave band at 5 ft - dBA levels are not licensed by AMCA International
 Sones - calculated using ANSI/AMCA 301 at 5 ft

