

# 6" - 8" ROUND OR 3 1/4" x 10" ROOF CAP INSTALLATION & MAINTENANCE INSTRUCTIONS

## INSTALLATION

Plan installation carefully. Before installing roof cap, make sure that birdscreen is in place. Refer to Figure 3 under "MAINTENANCE" section.

Roof cap will accept up to 3 1/4" x 10" rectangular or 8" round duct. Ductwork may enter roof cap as shown in Figures 1A & 1B. Tape all joints with duct tape to prevent air and water leaks.

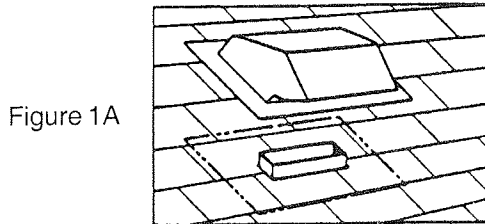


Figure 1A

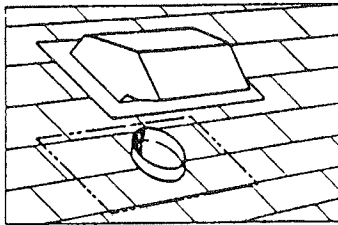


Figure 1B

1. Cut hole in roof approximately 1/2" larger than ductwork.
2. Insert ductwork through opening and run it back to fan or range hood. Leave a maximum of 3/4" of duct projecting above roof surface on the high side.
3. Trim ductwork parallel to roof pitch.

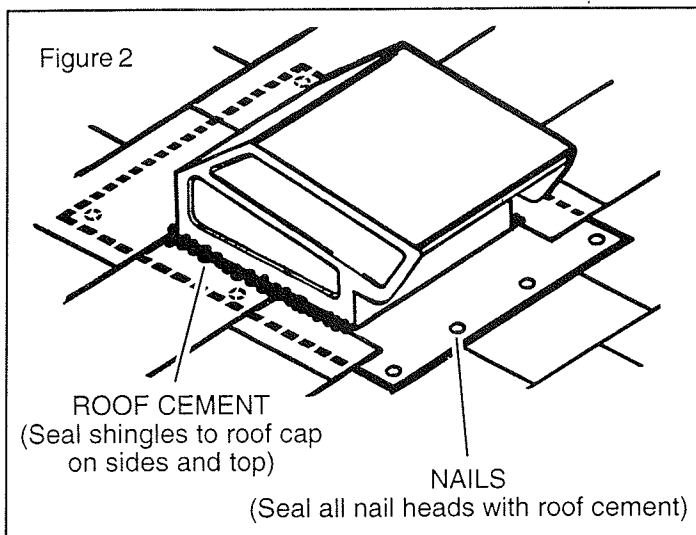


Figure 2

4. Carefully lift shingles and slide back flange of roof cap under shingles. Nail flange to roof under shingles at top two corners and two sides. Nail directly to roof in four places at bottom. (Figure 2)
5. Use roof cement to seal shingles to top and sides of roof cap. Seal all nail heads with roof cement as well.

## MAINTENANCE

To replace damper flap or gasket material:

1. Remove birdscreen, using sharp pointed tool. Pull screen down and pop it out. (Figure 3)
2. Remove screw (Item #8) in center of damper plate assembly and pull assembly out.
3. Pull out damper rod and lift damper flap out.
4. Replace defective or worn parts and reinstall damper flap with rib in flap facing up.
5. Slide damper plate assembly into grooves on inside of cap and replace screw. Make sure that damper opens freely.
6. Replace screen and position as shown.

NOTE: The high quality paint coating on our outdoor accessories may be used as the exterior finish or as a prime coat for the finish of your choice. Apply the coating best suited for the special conditions of your application.

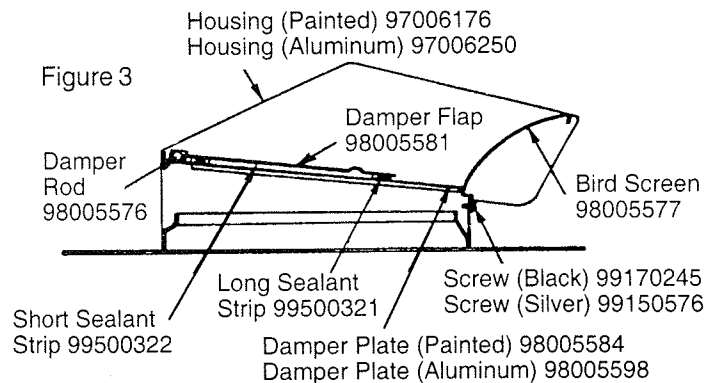


Figure 3