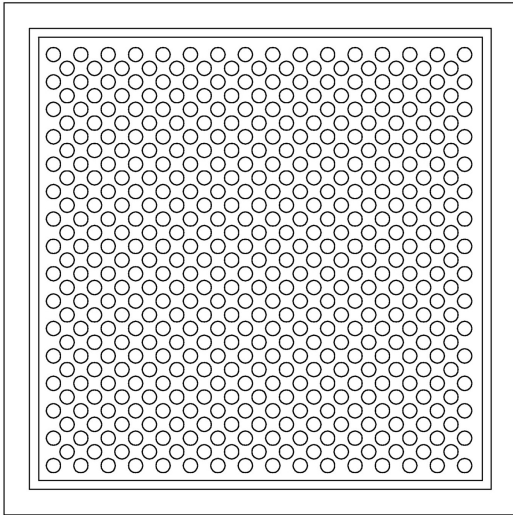
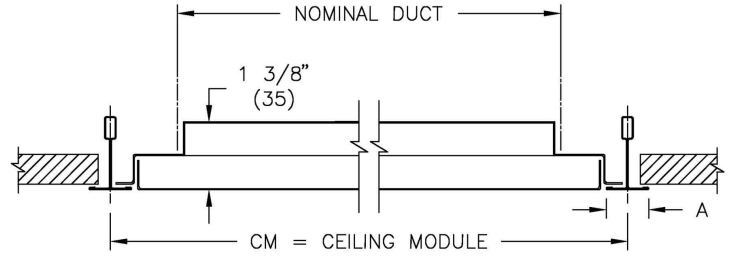


PDDR Non-Ducted Steel Perforated Flush Face Return Diffuser



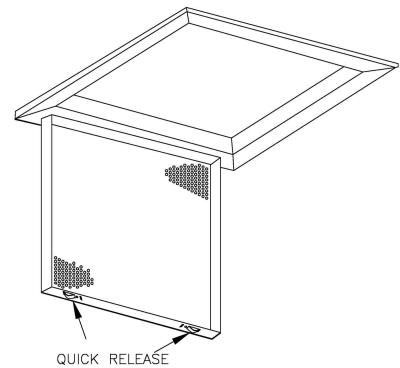
Plenum Return



Stock Notes

- Steel construction
- B12 white
- Hinged, removable perforated faceplate with quick-release spring latches
- Frame 3: T-bar lay-in for 1" and 9/16" flat tee
- Maximum backpan height is 1 3/8" (35)

Detail View:



Nominal Duct Size	Module Size	Max CFM at NC 30
6"	24" x 24"	440
8"	24" x 24"	660
10"	24" x 24"	930
12"	24" x 24"	1200
14"	24" x 24"	1500
16"	24" x 24"	1825
22" x 10"	24" x 12"	2075
22" x 22"	24" x 24"	4225

Maximum CFM recommended for NC 30 or less.