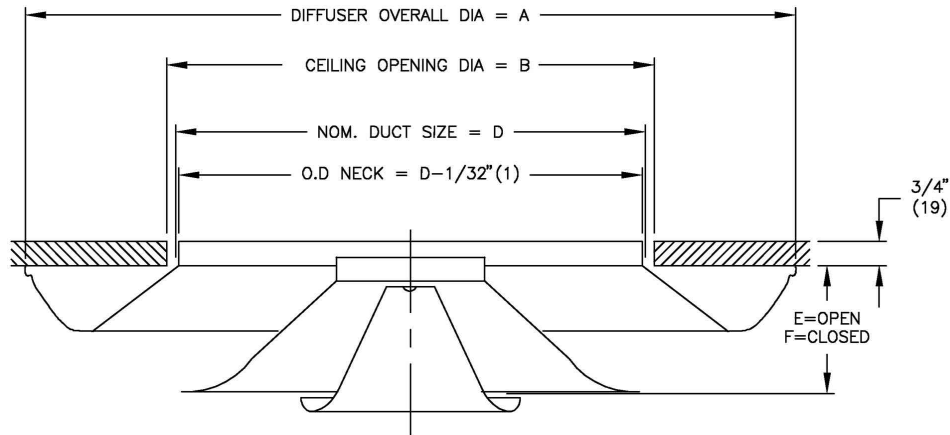


RCDE Steel Round Cone Diffuser, Horizontal 2 Position Adjustable



NOM. SIZE	A	B	D	E	F
6	11 1/8	6 1/2	6	1 3/4	1 1/8
8	14 3/4	8 1/2	8	2 1/8	1 1/2
10	18 1/4	10 1/2	10	2 7/8	2 1/8
12	22	12 1/2	12	3 1/8	2 3/8
14	26	14 1/2	14	3 3/4	2 5/8

Dimensions in inches

Stock Notes

- Steel construction
- 360 degree horizontal air pattern
- Two horizontal discharge patterns
- Price B12 white powder coat finish

Available Accessories

- VCR-8E damper

Nominal Duct Size	Max CFM at NC 30
6"	200
8"	280
10"	490
12"	705
14"	800

Maximum CFM recommended for NC 30 or less.