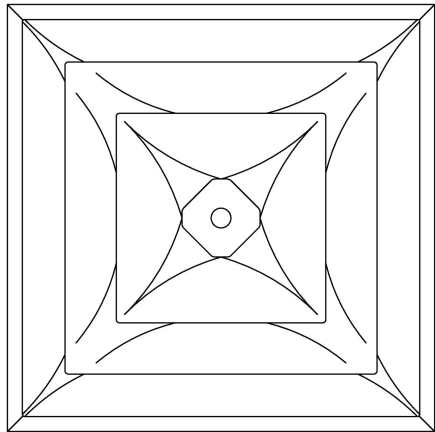
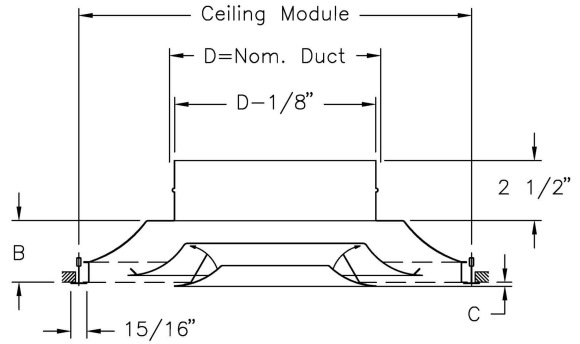


SCDA Adjustable Square Cone Diffuser

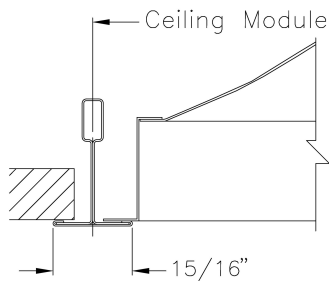


B (Max): 3 3/4"

C (Max): 1/8"



Border: 3 15/16" T-Bar Lay-In



Neck Size	Face Size	CFM Vertical Throw	CFM Horizontal Throw
6"	12" x 12"	180	210
8"	12" x 12"	225	300
6"	24" x 24"	180	220
8"	24" x 24"	275	350
10"	24" x 24"	400	510
12"	24" x 24"	550	700

Maximum CFM recommended for NC 30 or less.

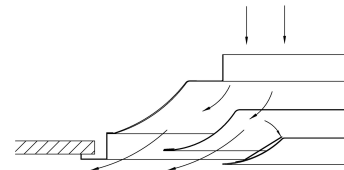
Stock Notes

- SCDA - Steel Construction
- 360 degree *adjustable* air pattern
- Price B12 white powder coat finish
- BN - Beaded inlet neck with extended depth of 2 1/2"

Available Accessories

- SPF mounting frame for surface mount applications
- VCR-8E dampers

Horizontal Airflow Pattern:



Vertical Airflow Pattern:

