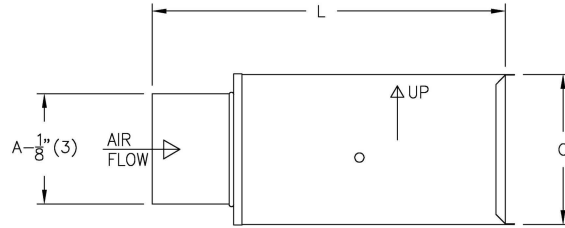


SDV5 Single Duct Terminal Unit

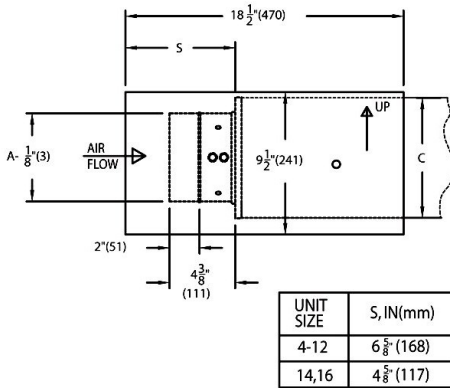
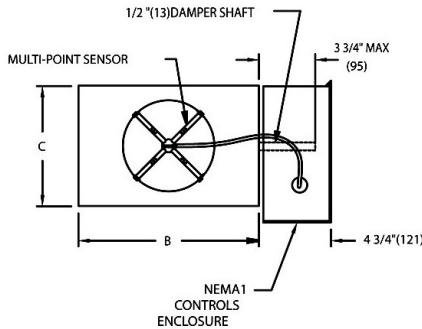
Stock Notes

- Zinc coated steel housing, sealed and gasketed for leak resistance
- Controls and actuator by others
- Sheet metal enclosure included
- Price SP200 velocity pressure sensor
- 3/4" Price fiber free foam lining
- Model PKIT with CP101 Pneumatic Controller accommodates direct and reverse acting thermostats and normally open or normally closed position



Unit Size	CFM Min.	Max CFM at NC 30	Inlet A	Outlet B	Outlet C	Length L
6	66	450	6"	12"	8"	20 1/8"
8	132	800	8"	12"	10"	20 1/8"
10	221	1350	10"	14"	12 1/2"	20 1/8"
12	304	2100	12"	16"	15"	20 1/8"
14	439	3000	14"	20"	17 1/2"	23 5/8"
16	568	4000	16"	24"	18"	23 5/8"
24" x 16"	1187	8000	24" x 16"	38"	18"	19"

Digital Controls



UNIT SIZE	S, IN(mm)
4-12	6 3/8\" (168)
14,16	4 3/8\" (117)

Liner FF

Internal Insulation - Fiber Free Foam 3/4" (19mm) thick, min. 1.5 lb/cu.ft density, meets requirements of NFPA90A and UL 181. R-Value = 3

