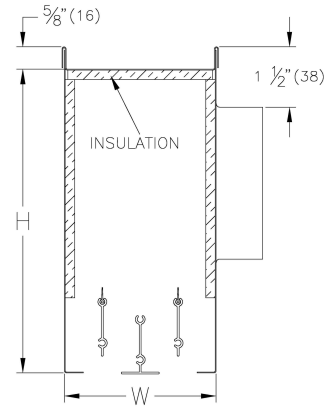
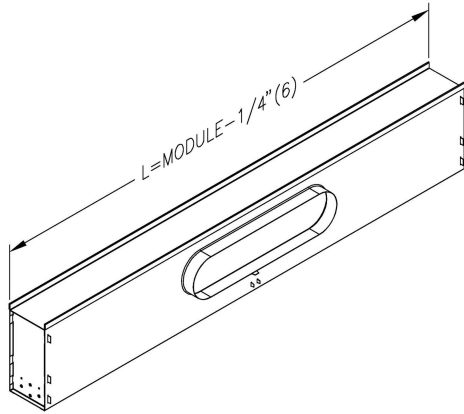


TBDI4100 1" Slot with Blade Pattern Controller



Material:

- Plenum: Coated Steel
- Pattern Controllers: Extruded Aluminum
- Centre Tee: Extruded Aluminum
- Blades are supplied with Vinyl Blade Edge Seal

Available Accessories

- Mounting frame for surface mount applications

Stock Notes

- Adjustable pattern control
- Steel construction
- Insulated plenum fiber free foam
- Black exposed surfaces and white center t-bar
- Diffusers are stocked with oval inlet, equivalent round is shown in table

Model	Insulated	Length	# of Slots	Slot Width	H	D	W	Max CFM at NC 30
4100	Y	2 ft.	2	1"	10"	6"	4"	150
4100	Y	2 ft.	2	1"	10"	8"	4"	170
4100	Y	4 ft.	2	1"	12"	8"	4"	275
4100	Y	4 ft.	2	1"	12"	10"	4"	320
4100	Y	4 ft.	3	1"	12"	12"	6"	575

Maximum CFM recommended for NC 30 or less.